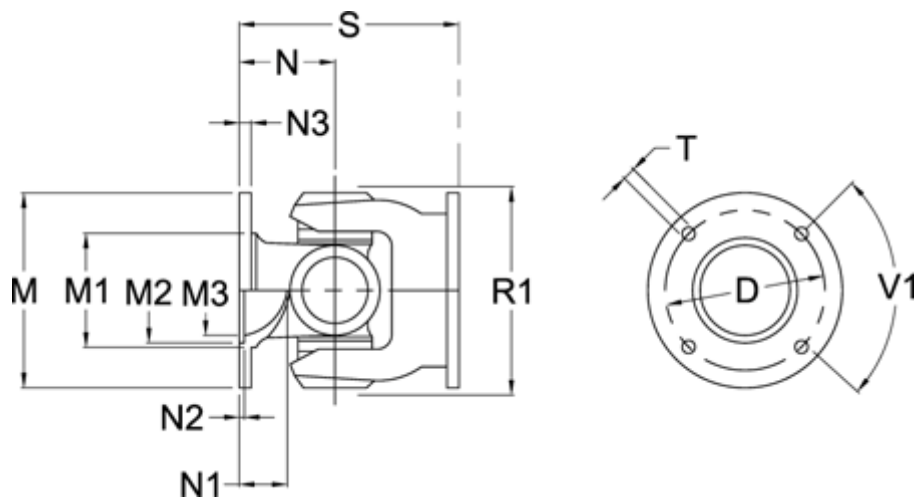


Article number: 07117401005

Description: Universal joint single 0.117.401.005  
S=172 X= Bore with keyway

## Measures



D	= 155,5 +/-0,1	N2	= 3,6 +/-0,5
Flange diameter M	= 180	N3	= 12
M1	= 118	Number of Flangeholes	= 8
M2	= 110	R1	= 158
M3	= 100	S min	= 172
Max. Bending Angle degrees	= 30	T	= 16 B12
N	= 86	V1 degrees	= 45
N1	= 29		